



## Rear Axle Beam Bush Kit - for Vauxhall/Opel

Part of a range of vehicle specific tools, for the removal and fitting of bushes and ball joints, without having to remove suspension legs, subframes, wishbones and trailing arms etc from the vehicle. Designed to be used in-situ, although many can also be used in a workshop press if circumstances require.

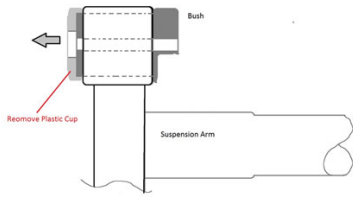


### Additional Information

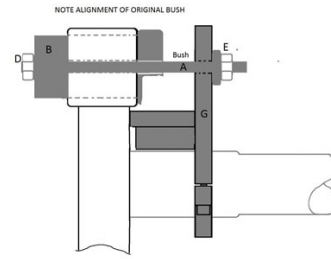
- Applications: Astra (2004 - 2012), Meriva (from 2010) and Zafira (2005 - 2012).
- To fit OEM bush #13267215.
- Spare parts available: Force Screw (Part No. 1319), Nut and Bearing Assembly (Part No. 1803) and Nut (Part No. 4397).
- Use with Ratchet Ring Spanner - Flexi Head 24mm (Part No. 5753).
- Made in Sheffield. Extraction Support Frame - EU Registered Design.

<http://lasertools.co.uk/product/6603>

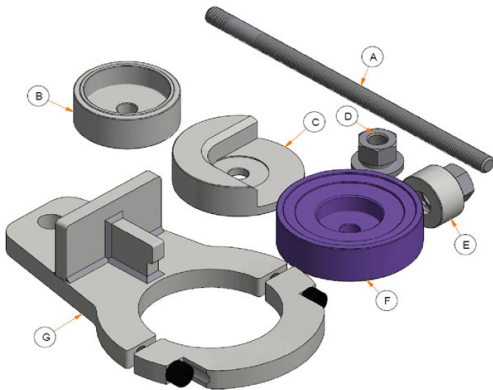
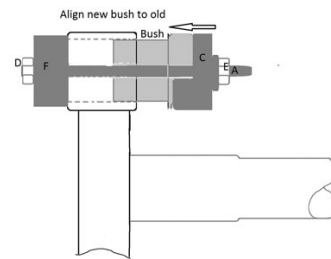




**EXTRACTION:**



**INSERTION:**



**Bushes**

